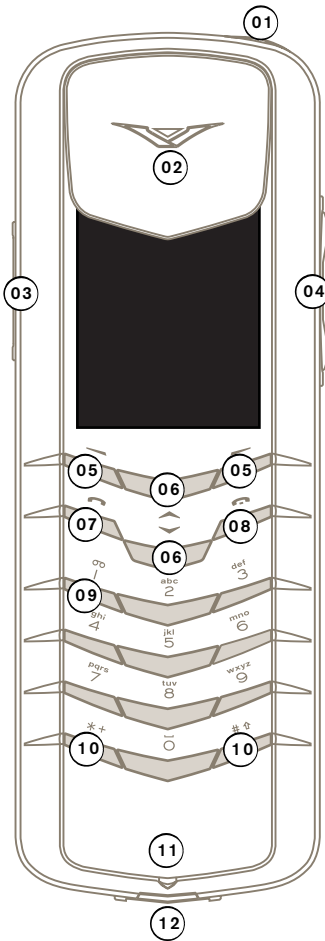


## 01 GETTING STARTED

## YOUR VERTU PHONE LAYOUT



- > 01 POWER key – press and hold for a few seconds to switch on and switch off.
- > 02 Earpiece.
- > 03 CONCIERGE key – press and hold until **conciERGE** is displayed. Press SEND to call.
- > 04 VOLUME key – press the top of the key to increase the volume. Press the bottom of the key to decrease the volume.
- > 05 SELECTION keys – press to perform the action or access the feature shown on the display above the key.
- > 06 SCROLL keys – press to move, for example through a list of names or features.
- > 07 SEND key – press to make or answer a call.
- > 08 END key – press to end a call.
- > 09 VOICEMAIL key – press and hold to call your voice mailbox (a Network service).
- > 10 \* + and # ↑ keys – special function keys.
- > 11 Microphone.
- > 12 Accessories connector.

## THE BATTERY AND SIM CARD

If your Vertu phone was purchased at a Vertu store, the battery and SIM card should have been installed already. Otherwise, follow the procedure below to install your SIM card and battery.

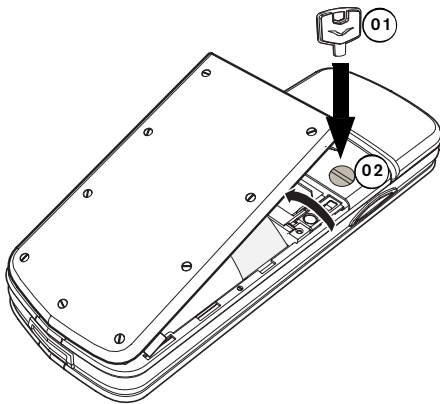
The SIM card and its contacts are easily damaged. Be careful when handling, inserting or removing the card.



**Caution.** Keep SIM cards and the back cover release key out of the reach of small children.

Always switch the phone off and disconnect the charger before removing the battery.

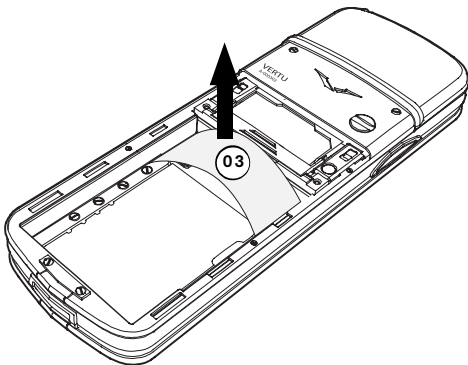
Do not remove the release tab or the protective plastic film from the battery as this will damage the battery.



- > With the back of your Vertu phone facing you, position the back cover release key (01) very carefully into the slot of the locking screw. Ensure the key does not slip out of the slot.
- > Turn the locking screw (02) a quarter of a turn anti-clockwise, and gently lift off the back cover as shown. If you accidentally remove the back cover while the phone is switched on, the phone will automatically switch off.



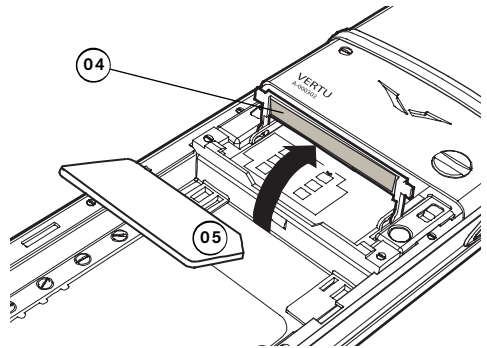
Attach the back cover release key to your keyring for convenience.



- > Remove the plastic placeholder (03) from your Vertu phone before inserting the battery.



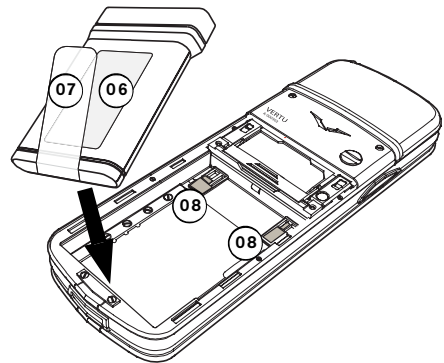
Retain the plastic placeholder for future use. If you need to remove the battery, insert the plastic placeholder before replacing the back cover to make it easier to remove the back cover.



- > Slide the retaining bar (04) towards the top of your Vertu phone and then pivot upwards.
- > Insert the SIM card, ensuring that the bevelled corner (05) is located top right and the gold contact area is facing downwards.
- > Return the retaining bar to its original position and slide it towards the bottom of the phone. The retaining bar should firmly lock into place.

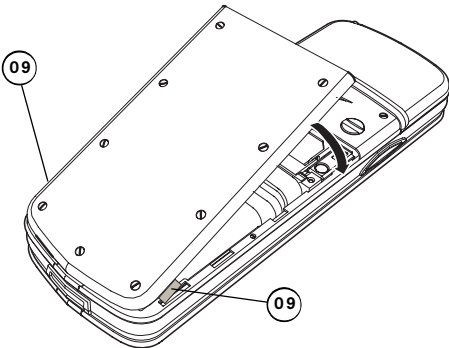


For availability and information on using SIM card services, contact your SIM card vendor. This may be the service provider, network operator, or other vendor.

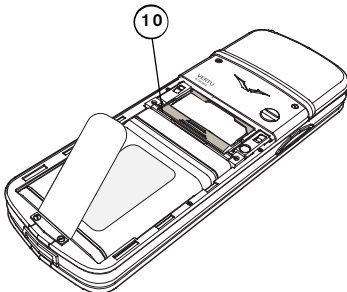


- > Insert the battery (06) bottom end first with the release tab (07) facing up from the rear of the phone. Ensure that the contacts on the top end of the battery align with the contact points (08) inside the battery compartment.

- > Ensure that the battery and SIM card are seated correctly before replacing the back cover.



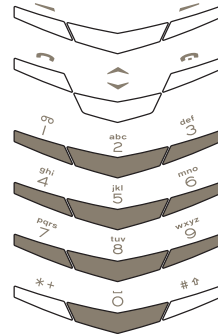
- > To replace the back cover, locate lugs (09) as shown.
- > Pivot the back cover into position until it clicks into place. The cover should close tightly using only light pressure – do not force it closed! If the cover does not close easily, remove it and check the battery and SIM are correctly inserted, and the retaining bar (10) is correctly positioned and locked.



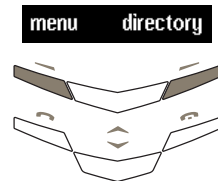
For information about removing the battery, refer to “Removing the battery” on page 5-3.

## VERTU PHONE KEYPAD

Alphanumeric keys, referred to as **NUMBER** keys in this guide, are used to key in numbers or characters, for example when making calls, storing names in the directory or writing text messages.



Below the display are two **SELECTION** keys. The function of these keys depends on the text displayed above them.



For example, press the **SELECTION** key below **menu** to access the menu or press the **SELECTION** key below **directory** to access the directory.

When pressing keys, press them briefly and firmly, without holding them down unless otherwise instructed. A “click” can be heard.